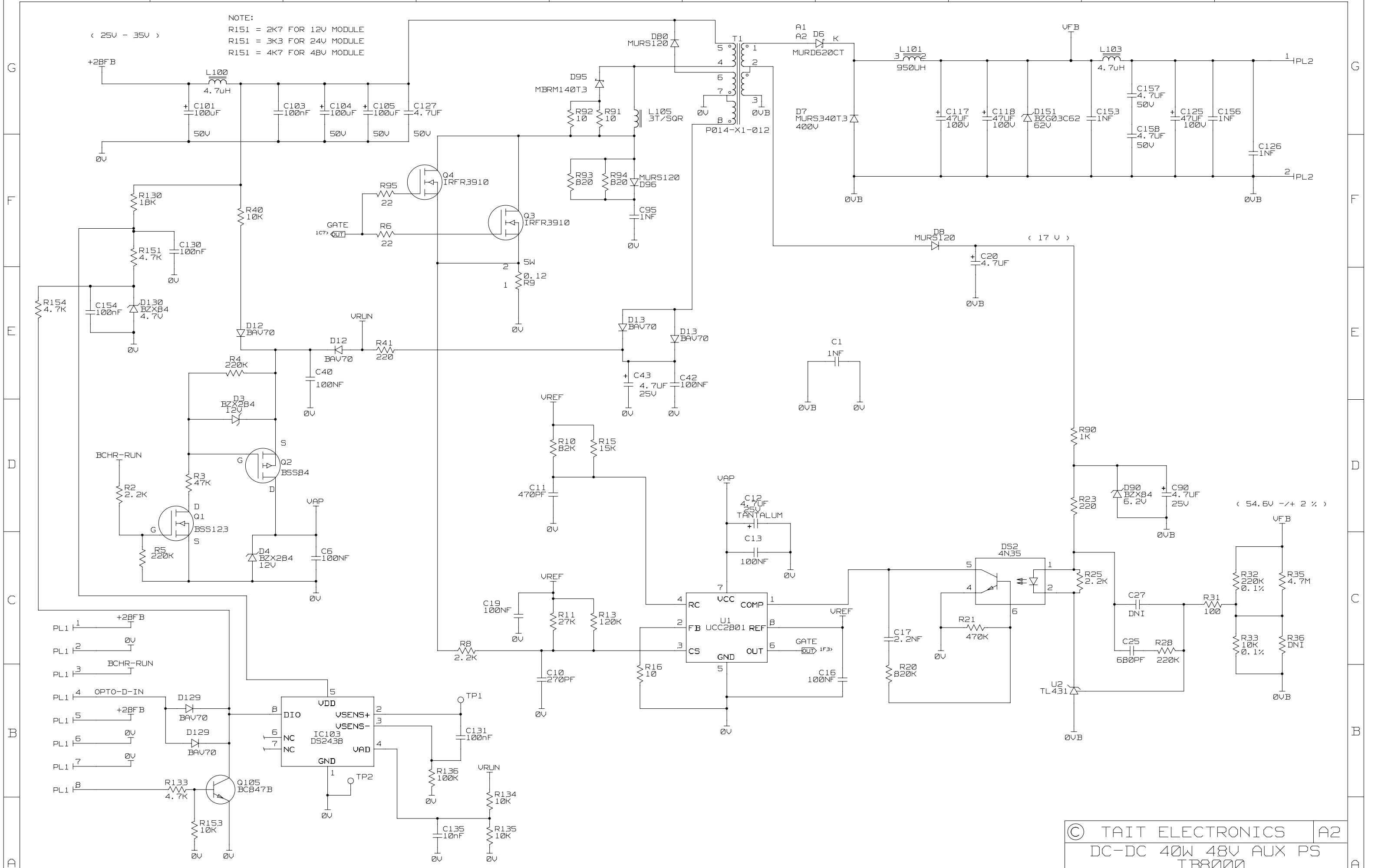


NOTE:
 R151 = 2K7 FOR 12V MODULE
 R151 = 3K3 FOR 24V MODULE
 R151 = 4K7 FOR 48V MODULE

(25V - 35V)



© TAIT ELECTRONICS		A2
DC-DC 40W 48V AUX PS		
TB8000		
IPN: 220-02053-03	ISSUE: A	VARIANT NUMBER: ?
FILE DATE: Thu Jun 24 09:24:42 2004		
ENGINEER: RVDC	FILE NAME: 220_02053	SHEET NUMBER: 1 OF 1

03A	ECO. 101200354, 101200358	TB	CK	RIAN	27-05-04
02A	ECO. 101200345	TB	CK	RIAN	17-03-04
01A	PROTO CLONED FROM 48V	TB	CK	RIAN	17-03-04
REV/ISS	AMENDMENTS	DRAWN	CHKD	D. O.	APVD
1					
2					
3					
4					
5					
6					
7					
8					
9					
10					